



ZEE SYSTEMS, Inc.
AIRCRAFT AIR CONDITIONING and
HEATING SYSTEMS

Z09-700 COMPONENT MAINTENANCE MANUAL

***Component
Maintenance
Manual***

with

Illustrated Parts List

for

Z09-700-SERIES

Evaporator Assembly



ZEE SYSTEMS, Inc.

AIRCRAFT AIR CONDITIONING and
HEATING SYSTEMS

Z09-700 COMPONENT MAINTENANCE MANUAL

Record of Revision

<i>REVISION NO:</i>	<i>ISSUE DATE</i>	<i>POSTED DATE</i>	<i>INSERTED BY:</i>
_____	_____	_____	_____
_____	_____	_____	_____
_____	_____	_____	_____
_____	_____	_____	_____
_____	_____	_____	_____
_____	_____	_____	_____
_____	_____	_____	_____
_____	_____	_____	_____
_____	_____	_____	_____
_____	_____	_____	_____
_____	_____	_____	_____
_____	_____	_____	_____
_____	_____	_____	_____
_____	_____	_____	_____
_____	_____	_____	_____



Z09-700 COMPONENT MAINTENANCE MANUAL

List of Effective Pages and Table of Contents

PAGE	TITLE	EFFECTIVE DATE / REV
1	COVER PAGE	*
2	RECORD OF REVISIONS	*
3	LIST OF EFFECTIVE PAGES	*
4	1.0 INTRODUCTION	*
	2.0 SPECIAL TOOLS AND EQUIPMENT	
5	3.0 REPAIR AND REPLACEMENT OF COMPONENTS	*
	3.1 AIR FILTER	
	3.2 DRAIN LINE	
6	3.3 BLOWER MOTOR	*
	3.4 THERMOSTATIC EXPANSION VALVE	
7	4.0 SERVICING – REFRIGERANT CHARGE	*
8	5.0 SERVICE SCHEDULES	
	6.0 TOLERANCES	
	7.0 TROUBLE SHOOTING	
9	continued	*
10	continued	*
11	8.0 ILLUSTRATED PARTS LIST	*
12	continued	*
13	FIGURE 1	*
14	FIGURE 2	*
15	FIGURE 3	*
16	FIGURE 4	*
17	FIGURE 5	*

* INITIAL RELEASE 6-20-01



Z09-700 COMPONENT MAINTENANCE MANUAL

1.0 INTRODUCTION

1.1 This Component Maintenance Manual provides information on the maintenance, maintenance schedules and repair and replacement of parts.

1.2 Refer to the Illustrated Parts List (IPL) in Section 8 when using this manual or ordering replacement parts. Parts are identified in parenthesis (FIG-ITEM NO.).

1.3 The Z09-700 Evaporator Assembly was designed utilizing dual axial mounted electrical motor and blower configuration. The squirrel cage blower wheel draws air across the coils and into the aircraft ducting for circulation. For cooling the Evaporator is part of the vapor cycle air conditioning system.

WARNING

THIS SYSTEM IS UNDER PRESSURE. INJURY COULD OCCUR IF PROPER SAFETY PRECAUTIONS ARE NOT TAKEN. THE SYSTEM PRESSURE MUST BE RELIEVED BEFORE ANY LINES ARE DISCONNECTED.

WARNING

AVOID PROLONGED SKIN CONTACT WITH THE REFRIGERANT HFC-134a. AVOID CONTACT WITH EYES. DO NOT BREATHE THE FUMES. REFER TO THE MATERIAL SAFETY DATA SHEET FOR INFORMATION ON TREATMENT.

2.0 SPECIAL TOOLS AND MATERIALS

2.1 No special tools are required to perform the maintenance described in this manual. If the refrigerant has been removed for service, repair or replacement of components refer to ZEE Systems, Inc. CMM Z12-89600 for instruction and special tools to service the system with refrigerant.

2.2 The following equipment and material may be required to perform maintenance in this manual.

ITEM	SOURCE
Liquid Detergent, water soluble	Commercially available
Cloth, lint free	Commercially available
Tape, Insulation,	Commercially available
Detector, Leak, Suitable for HFC-134a	Commercially available



Z09-700 COMPONENT MAINTENANCE MANUAL

3.0 INSPECTION, REPAIR AND REPLACEMENT OF COMPONENTS

3.0.1 Refer to installation drawings for instructions to access the evaporator. Remove the covers/panels as necessary.

3.0.2 The only component on the Evaporator Assembly which requires routine maintenance is the inlet Air Filter. The unit and other components are serviced on condition.

CAUTION

AIR CONDITIONING SYSTEM UNDER PRESSURE. APPROPRIATE SAFETY MEASURES SHOULD BE TAKEN WHEN SERVICING THIS EQUIPMENT. ONLY TRAINED PERSONNEL WITH APPROVED SAFETY EQUIPMENT SHOULD PERFORM SERVICING DUTIES.

NOTE

IT IS UNLAWFUL TO RELEASE R-12 OR OTHER REFRIGERANTS TO THE ATMOSPHERE. USE APPROVED RECOVERY/RECYCLE EQUIPMENT TO CAPTURE REFRIGERANTS. USE ONLY LAWFUL MEANS TO DISPOSE OF RECOVERED REFRIGERANTS. CHECK WITH LOCAL AGENCIES FOR APPROVED DISPOSAL PROCEDURES.

NOTE

CAP ALL OPEN LINES TO PREVENT CONTAMINANTS AND MOISTURE FROM ENTERING THE SYSTEM.

NOTE

DUE TO THE TIGHT FIT OF THE MOTOR COMPRESSOR CONDENSER ASSY IT MAY BE NECESSARY TO REMOVE THE MOTOR COMPRESSOR CONDENSER ASSY AND THE EVAPORATOR TO PERFORM SOME OF THE MAINTENANCE DESCRIBED BELOW.

3.1 AIR FILTER (1/4-4)

3.1.1 INSPECTION: Inspect the filter every 100 hours for clogging due to dust or other airborne contaminants. Check for tears in the element. Check the foam insulation for wear or deterioration.

3.1.2 REMOVAL: Slide the top of the filter from the housing until it clears the top cover then lift the filter from the evaporator.

3.1.3 SERVICE: On condition. Clean the filter with a solution of water and liquid detergent, rinse with clear water. Dry the filter with light compressed air. Care should be taken not to damage the element. Replace foam insulation if worn or damaged.

3.1.4 INSTALLATION: Slide the filter into the housing in reverse order of removal.

3.2 DRAIN LINE (NOT SHOWN)



Z09-700 COMPONENT MAINTENANCE MANUAL

3.2.1 INSPECTION: Check that the connection on the external drain tube is secure. Check for any leaks or damaged areas on the flexible tube. Using an Air Supply, apply 10 PSI (max.) to the flexible tube at the highest point to the external drain outlet. Check that drain line is clear.

3.2.2 REMOVAL: Loosen the clamp that attaches the drain line to the evaporator drain pan. And pull the flexible drain line off of the evaporator drain pan tube.

3.2.3 SERVICE: Clear any obstructions as required. Replace flexible tube as required by condition.

3.2.4 INSTALLATION: Slide the flexible tube over the evaporator drain pan tube. And tighten the clamp.

3.3 BLOWER MOTOR (2/3/4/5-15) 2 each

3.3.1 INSPECTION: On condition. Check for slow or noisy operation.

3.3.2 REMOVAL: It may be necessary to remove the whole Evaporator Unit from the aircraft. Refer to installation drawings to remove unit from aircraft. Disconnect all electrical connections. Remove the seven screws and washers (2/3/4/5-23, 1/2/3/4/5-18, 1/2/3/4/5-20). Remove motor (2/3/4/5-15) and mount (2/3/4/5-7) from blower housing (2/3/4/5-14).

3.3.2.1 Note the spacing of the squirrel cage blower wheel (3/4/5-29) on the motor shaft. Loosen the set screw on the squirrel cage and remove from the defective motor. Remove the two nuts and washers (5-16, 1/2/3/4/5-21). Check the condition of the foam insulation (5-35), replace as necessary.

3.3.3 SERVICE: There is no field repair for this motor. Replace if defective.

3.3.4 INSTALLATION: Attach the squirrel cage blower wheel (3/4/5-29) on the new motor shaft. Care should be taken to insure the squirrel cage has the same alignment to the motor and is free to rotate. Tighten the set screw. Attach the blower motor with blower wheel to the blower housing in reverse order as removed.

3.4 THERMOSTATIC EXPANSION VALVE (TXV) (1/2/3-26)

CAUTION

AIR CONDITIONING SYSTEM UNDER PRESSURE. APPROPRIATE SAFETY MEASURES SHOULD BE TAKEN WHEN SERVICING THIS EQUIPMENT. ONLY TRAINED PERSONNEL WITH APPROVED SAFETY EQUIPMENT SHOULD PERFORM SERVICING DUTIES.

WARNING

SYSTEM IS UNDER PRESSURE AND MUST BE RELIEVED BEFORE ANY SERVICE TO THE EXPANSION VALVE CAN BE ACCOMPLISHED.

3.4.1 INSPECTION: On condition.

3.4.2 REMOVAL: Expose the Thermostatic Bulb on the Suction Line on the evaporator by removing the insulating tape (2/4-32). Care should be taken not to puncture or damage the bulb or any of the coils on the



Z09-700 COMPONENT MAINTENANCE MANUAL

evaporator. Next, carefully remove the clip (2/4-31) holding the bulb to the Suction Line, retain it for reinstallation.

3.4.2.1 Disconnect and remove the Inlet Hose (NS). Plug the hose end to prevent any contamination of the system. Hold the expansion valve (1/2/3-26) with a wrench and remove the external equalizing tube (2/3/4-5) and Pressure Line (Inlet) on the evaporator. Remove the Expansion Valve (1/2/3-26) including the bulb. Plug the tube (2/3/4-5) and Pressure Line to prevent contamination to the system.

3.4.2.2 The line screen is located under the adapter (3-36) in the TXV inlet. Remove the adapter (3-36). Pull the Line Screen (NS) from the expansion valve (1/2/3-26). Check for any signs of clogging. Clean and remove any foreign matter from the screen.

3.4.3 SERVICE: The only service is to clean the Line screen. Defective expansion valve must be replaced.

3.4.4 INSTALLATION: Connect the expansion valve to the Pressure Line on the evaporator. Use Backup Wrench. Next use clip (2/4-31) to attach the Thermostatic Bulb to the Suction Line on the evaporator. The Thermostatic Bulb must have FULL contact with the line. Thoroughly cover the bulb by wrapping with insulating tape (2/4-32).

3.4.4.1 Make sure the line screen (NS) is installed in the expansion valve (1/2/3-26). Attach the inlet hose to the expansion valve. During servicing check for leaks.

4.0 SERVICING – REFRIGERANT CHARGE

CAUTION

AIR CONDITIONING SYSTEM UNDER PRESSURE. APPROPRIATE SAFETY MEASURES SHOULD BE TAKEN WHEN SERVICING THIS EQUIPMENT. ONLY TRAINED PERSONNEL WITH APPROVED SAFETY EQUIPMENT SHOULD PERFORM SERVICING DUTIES.

NOTE

IT IS UNLAWFUL TO RELEASE R-12 OR OTHER REFRIGERANTS TO THE ATMOSPHERE. USE APPROVED RECOVERY/RECYCLE EQUIPMENT TO CAPTURE REFRIGERANTS. USE ONLY LAWFUL MEANS TO DISPOSE OF RECOVERED REFRIGERANTS. CHECK WITH LOCAL AGENCIES FOR APPROVED DISPOSAL PROCEDURES.

NOTE

CAP ALL OPEN LINES TO PREVENT CONTAMINANTS AND MOISTURE FROM ENTERING THE SYSTEM.

4.1 CHECK THE SYSTEM. Anytime refrigerant has been lost or removed from the system. Check for leaks and secure all plumbing connections before filling the system with refrigerant. Refer to ZEE Systems, Inc. CMM Z09-89600 for required equipment and materials to service the air conditioning system.



Z09-700 COMPONENT MAINTENANCE MANUAL

5.0 SERVICE SCHEDULES

5.1 MAINTENANCE SCHEDULE

ITEM DESCRIPTION	INSPECTION INTERVAL *	R&R/T.B.O. HRS
Z09-070-1 Air Filter	Every 100 Hrs. Inspect for tears or damage. Refer to 3.1. Clean as necessary.	ON CONDITION
Z09-800-2 (2ea) Blower Motor	N/A	ON CONDITION
IFE-2-CP60 TXV	N/A	ON CONDITION

6.0 TOLERANCES

6.1 TORQUE VALUES. Use standard torque values for bolts and other fasteners.

7.0 TROUBLE SHOOTING

TROUBLE	POSSIBLE CAUSE	REMEDY
Evaporator Blowers low flow	Obstructed blower Inlet.	Remove obstruction.
	Obstructed duct.	Remove obstruction.
	Obstructed Outlet.	Remove obstruction.
Evaporator Blowers Inoperative.	Motor open. Motor brushes worn beyond limits.	Replace Motor
	Check wiring to motor. Check switch in cockpit. Check motor for shorts.	Repair or replace faulty system or component.
System not cooling with. Adequate airflow over evaporators	Condenser airflow blocked.	Remove obstruction.



Z09-700 COMPONENT MAINTENANCE MANUAL

TROUBLE	POSSIBLE CAUSE	REMEDY
	Low refrigerant.	Service system.
	Overcharge of refrigerant.	Service system
	Faulty Compressor	Replace Compressor.
	High Discharge Pressure Overcharge of refrigerant.	Service system
	Obstruction in Receiver-Dryer.	Replace defective component and service system
	Obstructed Expansion Valve and/or Line Screen.	Clean Line Screen. Replace Expansion Valve and service system
Low Discharge Pressure.	Low refrigerant.	Service system
	Faulty Compressor.	Replace bad component and service system
Excessive vibration at Motor/Compressor.	Improper belt tension.	Adjust belt to correct tension.
	Worn, damaged or loose or over tightened mounts.	Adjust or replace mounts.
Compressor Motor trips current limiter.	Motor shorted. Motor brushes worn beyond limits. Short in wiring.	Replace Motor. Check wiring to motor, repair as required.
Compressor Motor inoperative.	Motor open. Motor brushes worn beyond limits. Short in wiring.	Replace Motor. Check wiring to motor, repair as required.



Z09-700 COMPONENT MAINTENANCE MANUAL

TROUBLE	POSSIBLE CAUSE	REMEDY
Excessive vibration at Motor/Compressor.	Improper belt tension.	Adjust belt to correct tension.
	Worn, damaged or loose or over tightened mounts.	Adjust or replace mounts.
Quick refrigerant loss.	Open in system.	Check compressor head gasket. Check Hoses or tubing for holes. Check connections. Replace defective component. Service system
Defective O-Ring.	Replace defective O-Ring. Service system	
	Loose connections.	Tighten connections. Service system
Slow refrigerant loss.	Loose connections.	Tighten connections. Service system



Z09-700 COMPONENT MAINTENANCE MANUAL

8.0 ILLUSTRATED PARTS LIST

8.1 EXPLANATION OF SYMBOLS:

ALT - The Part Number shown is an approved alternate, either part number may be used.

MOD "X" Refers to modification information of this part as applicable to this assembly.

NP - Not Procurable individually, see next higher assembly.

NS - Not Shown

OBS - Obsolete

USAGE/QTY - This identifies parts used on specific applications (not common to all units).

.. - Part of higher assembly.

*/# - See explanation at end of parts list.

FIG-ITEM	PART NUMBER	NOMENCLATURE	QTY	USAGE CODE
1/2/3/4/5	Z09-700-1	EVAPORATOR ASSEMBLY		A
NS -1	SZ45-090-1	PLACARD "CAUTION"	1	A
5 -2	SZ63-010-3	PAD, MOTOR	2	A
1/3 -3	Z09-041-1	PAD	4	A
1/4 -4	Z09-070-1	FILTER ASSY, AIR	1	A
2/3/4 -5	Z09-100-1	TUBE ASSY	1	A
3/4 -6	Z09-301-1	PAN ASSY, DRAIN	1	A
2/3/4/5 -7	Z09-302-1	PLATE, MOUNTING	1	A
1 -8	Z09-303-1	BRACKET, LH	1	A
1/2/4 -9	Z09-304-1	BRACKET, RH	1	A
1/3/4 -10	Z09-305-1	BRACKET, TOP	1	A
1/2/3/4 -11	Z09-306-1	FRAME ASSY, TOP	1	A
2/3/5 -12	Z09-307-1	DUCT ASSY, INLET	1	A
3/4 -13	Z09-701-1	COIL, EVAPORATOR	1	A
2/3/4/5 -14	Z09-720-2	HOUSING, BLOWER	2	A
2/3/4/5 -15	Z09-800-2	MOTOR, BLOWER	2	A
5 -16	AN364-1032	NUT, LOCK ALT: MS21083N3	4	A
2/3/4 -17	AN530-8-6	SCREW	4	A
1/2/3/4/5-18	AN935-8	WASHER, LOCK ALT: MS35338-42	22	A
1/2/3/4/5-19	AN935-10	WASHER, LOCK ALT: MS35338-43	12	A
1/2/3/4/5-20	AN960-8L	WASHER, FLAT ALT: NAS1149FN816P	32	A
1/2/3/4/5-21	AN960-10L	WASHER, FLAT ALT: NAS1149FO332P	22	A
1/2/3/4 -22	MS35206-245	SCREW	18	A
2/3/4/5 -23	MS35206-246	SCREW	14	A
1/3/4/5 -24	MS35207-264	SCREW	12	A
2/3/4 -25	MS35207-263	SCREW	6	A
1/2/3 -26	IFE-2-CP60	THERMOSTATIC EXPANSION VALVE (TXV)	1	A
NS/NP -27	02141000	THREADCERT	12	A



ZEE SYSTEMS, Inc.

**AIRCRAFT AIR CONDITIONING and
HEATING SYSTEMS**

Z09-700 COMPONENT MAINTENANCE MANUAL

FIG-ITEM		PART NUMBER	NOMENCLATURE	QTY	USAGE CODE
5	-28	06-165-002	RING, INLET	2	A
3/4/5	-29	105931-P	WHEEL, BLOWER, SQUIRREL CAGE	2	A
1	-30	102220-1	I.D. PLATE	1	A
2/4	-31	14-2388	CLIP	1	A
2/4	-32	18-2710	INSULATION	AR	A
2	-33	403904-1	PLACARD "FLOW"	3	A
2	-34	405690-1	PLACARD "ROTATION"	2	A
5	-35	67470	INSULATION	AR	A
3	-36	2606	ADAPTER ALT: 920-2606	1	A
1/4	-37	2609	ADAPTER ALT: 920-2609	1	A



Z09-700 COMPONENT MAINTENANCE MANUAL

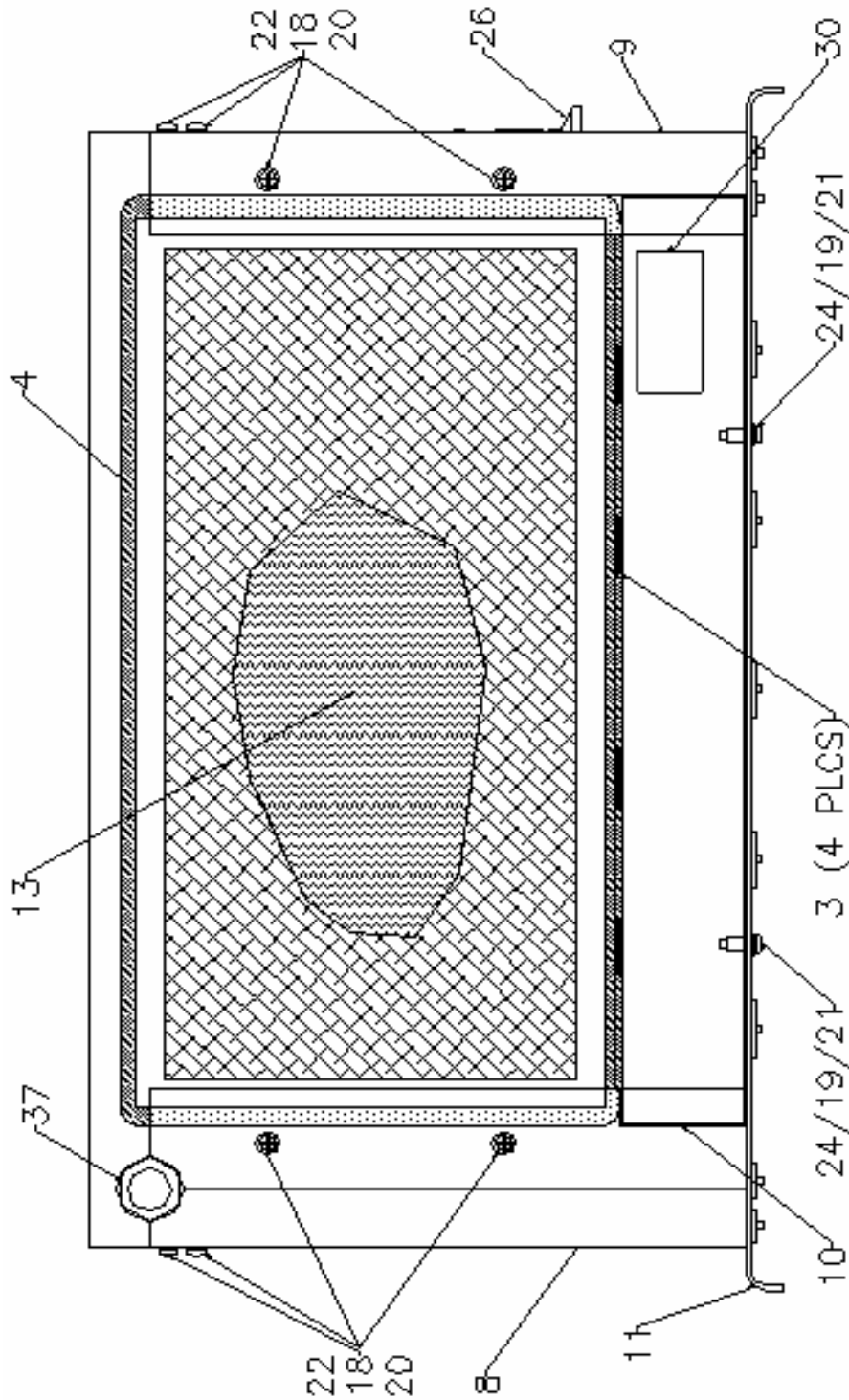


FIG. 1



Z09-700 COMPONENT MAINTENANCE MANUAL

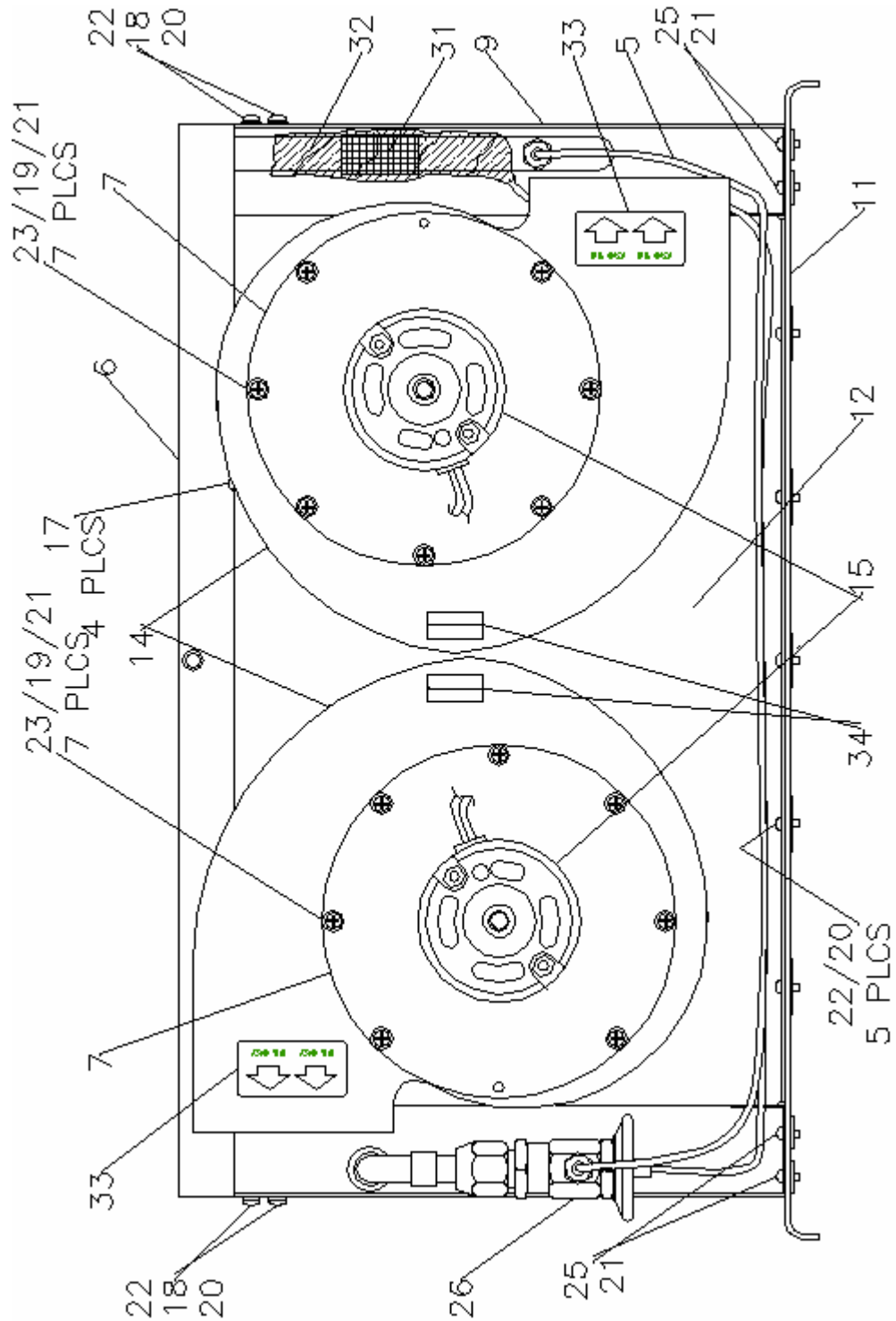


FIG. 2



Z09-700 COMPONENT MAINTENANCE MANUAL

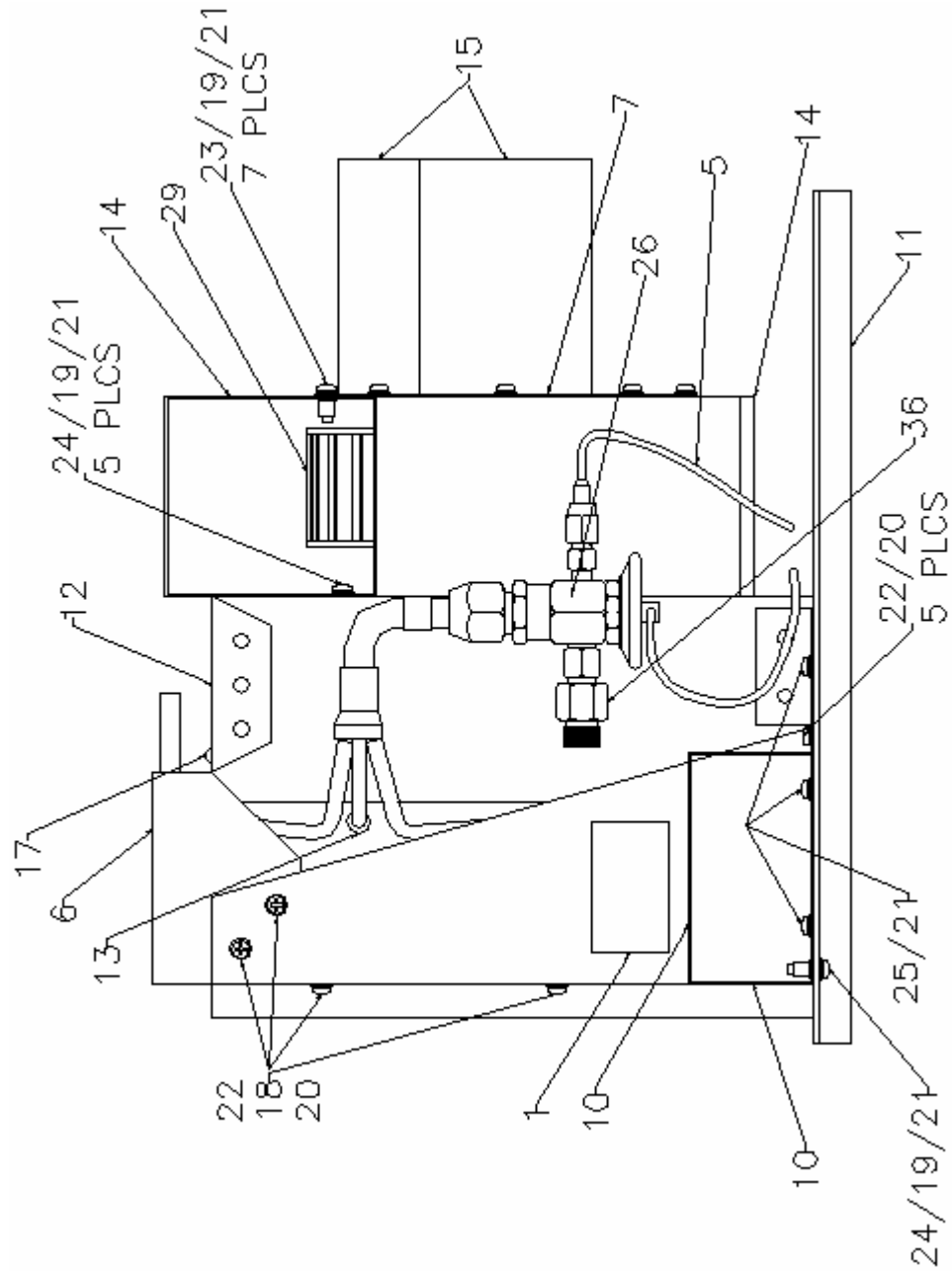


FIG. 3



Z09-700 COMPONENT MAINTENANCE MANUAL

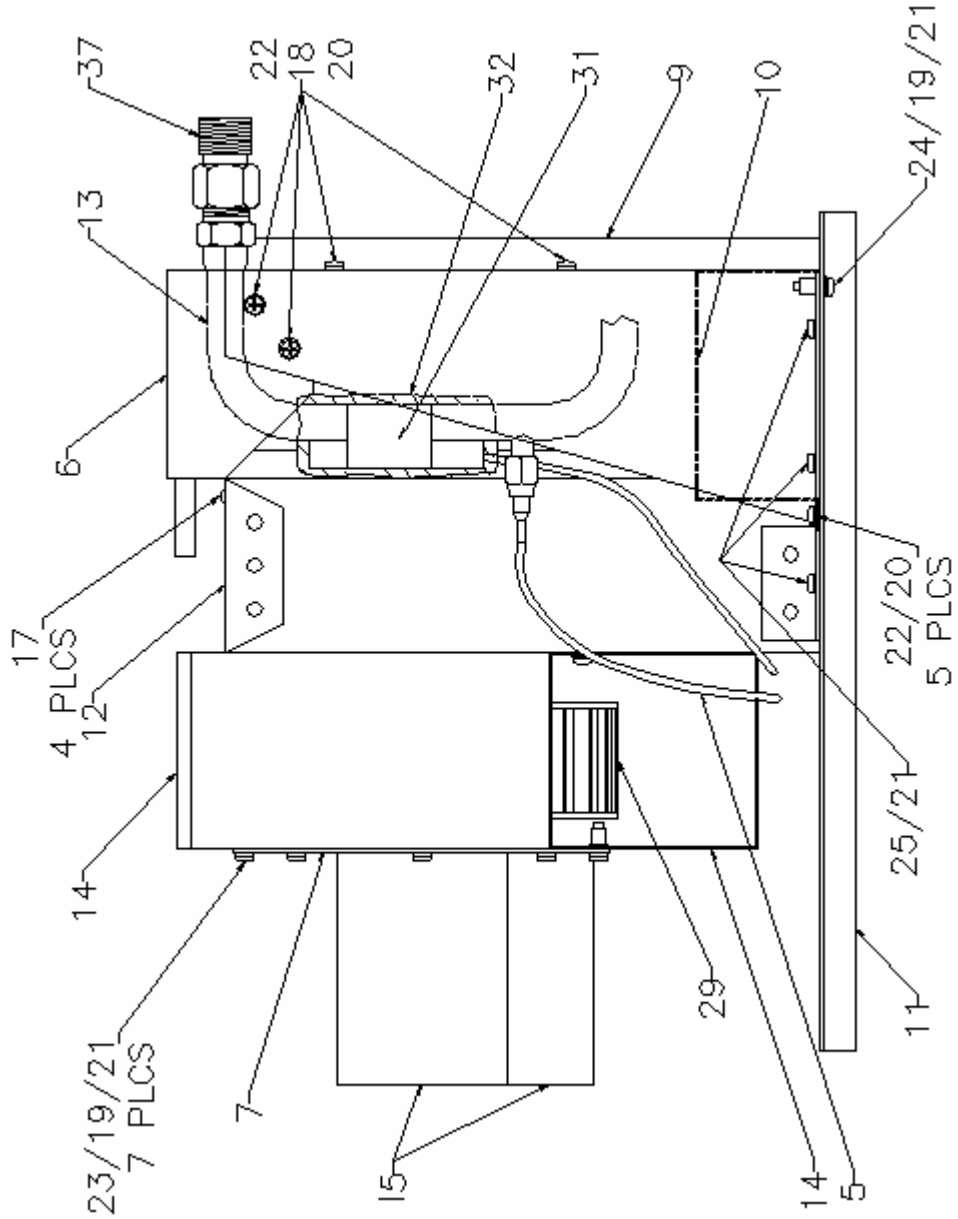


FIG. 4



Z09-700 COMPONENT MAINTENANCE MANUAL

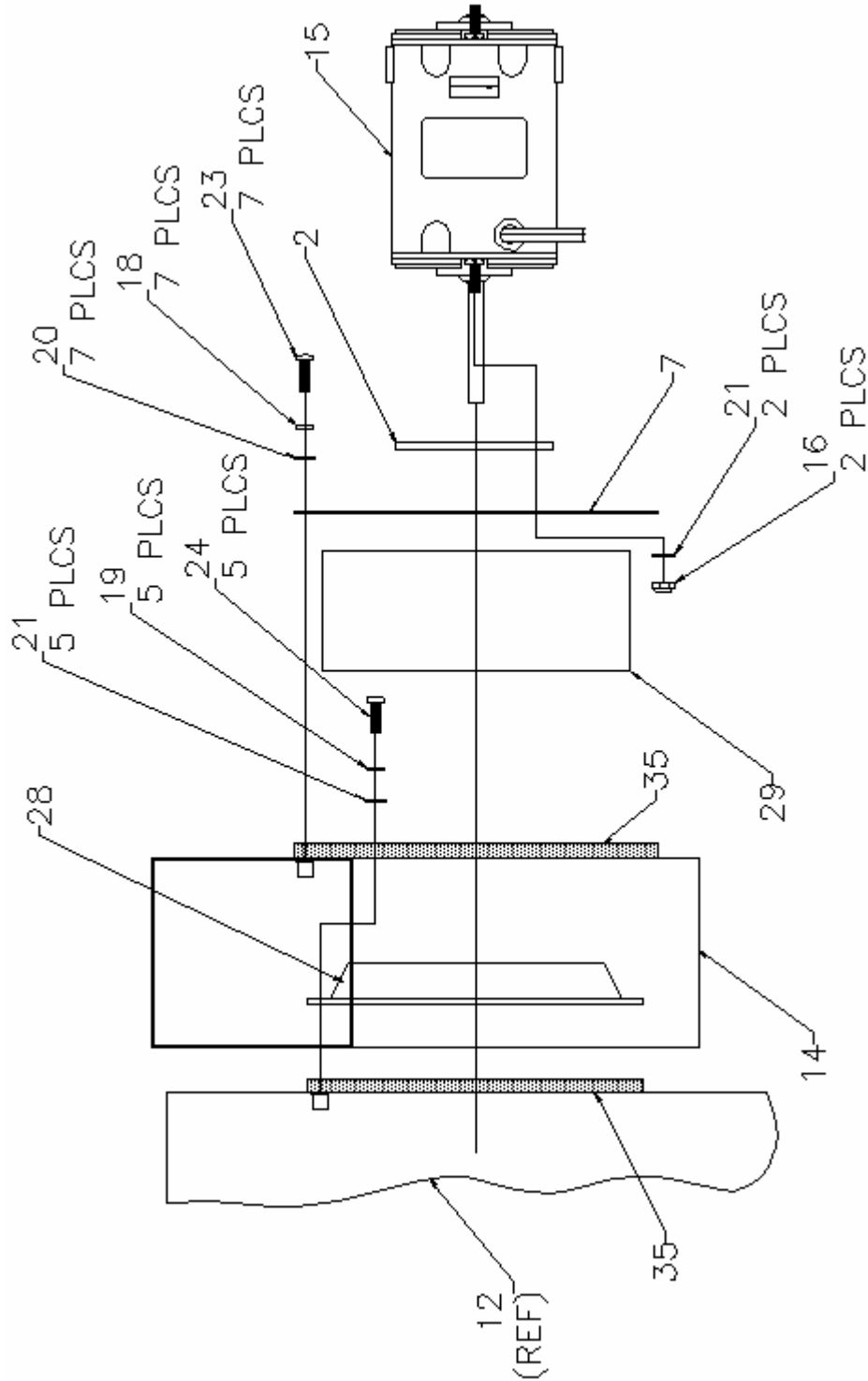


FIG. 5