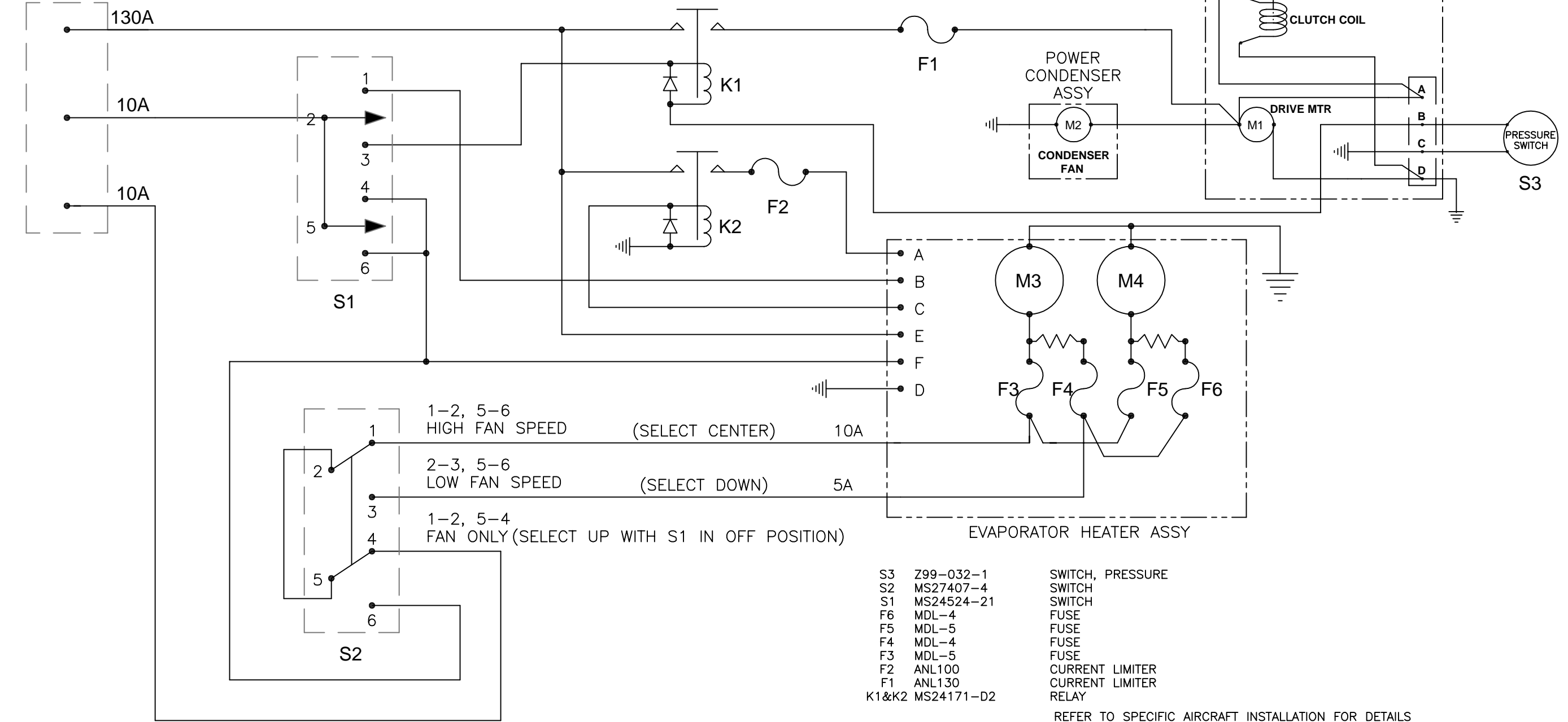


LIST OF REVISIONS

REV	DESCRIPTION	DATE	APPVD
IR	INITIAL RELEASE	2-18-05	KJZ

ACFT POWER



NOTES:

1. USE M22759/16-(xx) WIRE. REFER TO A.C.43.13-2B FOR WIRE SIZE.
2. RELAY (K1 & K2) DIODE 1N4007 OR ZEE SYSTEMS, INC. P/N: DS030-0202.
3. TERMINAL END LUGS TO MEET MS25036, SPLICES TO MEET MS25181.
4. JUMPER 2 TO 5 ON SWITCH S2.
5. S2 KEYWAY MUST BE UP.
6. JUMPER F3 TO F5 AND F4 TO F6.

PROPRIETARY DATA NOTIFICATION
 THE INFORMATION CONTAINED HEREIN IS PROPRIETARY TO ZEE SYSTEMS, INC. DISCLOSURE, REPRODUCTION OR ANY OTHER USE OR DISSEMINATION OF THIS INFORMATION IS FORBIDDEN WITHOUT WRITTEN AUTHORIZATION FROM ZEE SYSTEMS, INC., SAN ANTONIO, TX.

REFER TO SPECIFIC AIRCRAFT INSTALLATION FOR DETAILS

				x	PART NO.	NAME	STOCK SIZE	MATERIAL	MAT'L SPEC	
NO. REQ'D. PER ASSY					LIST OF MATERIAL					
					UNLESS OTHERWISE NOTED	DRAWN BY	K.ZAIONTZ	2-18-05	TITLE	
					.X+/- .060	CHECK			TYPICAL SCHEMATIC (FUNCTIONAL)	
					.XX+/- .030	STRESS			DWG SIZE 11X17 SCALE N/A SHT 1 OF 1	
					.XXX+/- .010	ENGR	K.ZAIONTZ	2-18-05	DWG NO. Z14H-WD-F REV IR	
DASH NO.	NO. REQ'D PER ASSY	NEXT ASSY	MODEL		ZEE SYSTEMS, INC. 406 W. Rhapsody San Antonio, TX 78216 USA					