



Zee Systems Inc.

AIRBORNE AIR CONDITIONING SYSTEMS & COMPONENTS

FAA APPROVED MANUFACTURER'S MAINTENANCE FACILITY NO. 243-14

SERVICE INFORMATION LETTER SZ47-003B

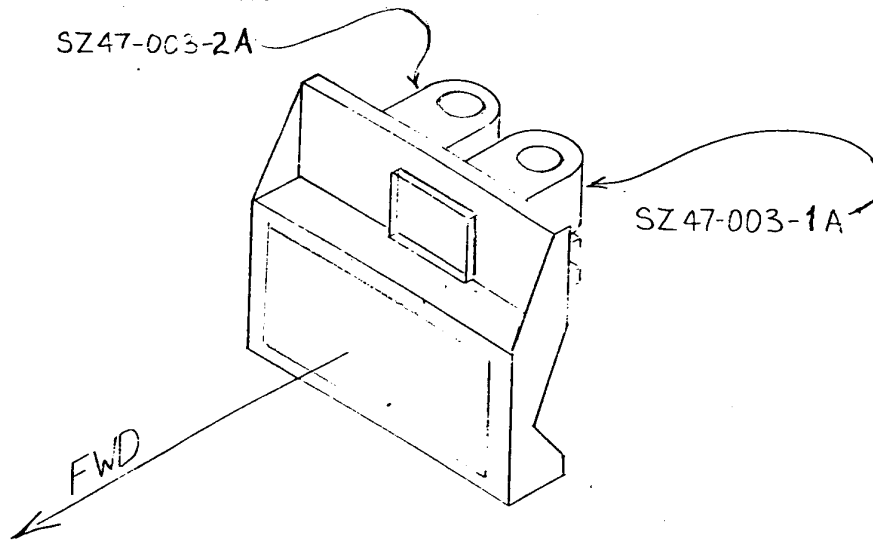
THIS SIL SUPERSEDES SZ47-003A

TO: ALL TWIN OTTER OPERATORS WITH ZEE SYSTEMS AIR CONDITIONING.

FROM: KEVIN J. ZAIONTZ, DIRECTOR OF OPERATIONS, ZEE SYSTEMS, INC.

REF: SZ47-003-1A/-2A BLOWER ASSEMBLIES.

IT HAS BEEN BROUGHT TO OUR ATTENTION THAT SOME OF THE ENDING DASH NUMBERS OF THE BLOWER ASSEMBLIES ON THE EVAPORATOR HAVE BEEN INCORRECTLY IDENTIFIED. IN RESEARCHING THIS PROBLEM WE HAVE DISCOVERED THAT THE BLOWER DRAWING AND THE EVAPORATOR ASSEMBLY DRAWING SHOW CONFLICTING PART NUMBERS. THE BLOWER ON THE PILOT (LEFT) SIDE OF THE AIRCRAFT SHOULD BE IDENTIFIED AS -1A, THE BLOWER ON THE CO-PILOT (RIGHT) SIDE OF THE AIRCRAFT SHOULD BE IDENTIFIED AS THE -2A. THEY MAY BE IDENTIFIED INCORRECTLY (A -1A IDENTIFIED IN THE PLACE OF A -2A ETC.). INCORRECTLY IDENTIFIED BLOWERS IN NO WAY POSE ANY DANGER TO THE SAFE OPERATION OF THE UNIT BECAUSE THE BLOWERS CAN ONLY FIT ONTO THE EVAPORATOR ASSEMBLY ONE WAY REGARDLESS OF THEIR IDENTIFICATION. THE CONFUSION COMES WHEN ORDERING A REPLACEMENT BLOWER. WHEN ORDERING REPLACEMENT BLOWERS DO NOT ORDER BY THE PART NUMBER OF THE UNIT REMOVED FROM THE AIRCRAFT, AS IT MAY BE INCORRECTLY IDENTIFIED, PLEASE SPECIFY THE BLOWER ON THE PILOT OR CO-PILOT SIDE OF THE AIRCRAFT. PLEASE REVIEW THE DRAWING BELOW FOR FURTHER CLARIFICATION.



SZ54-002 EVAP ASSY

SIL 47-003B
THIS SUPERSEDES SIL 47-003A

PAGE 1 OF 1
MAY 1996

P.O. BOX 791165 • SAN ANTONIO, TEXAS 78279
PH: (210) 342-9761 • 1-800-988-COOL (2665) • FAX: (210) 341-2609